

PART NUMBER: 70075

OVERVIEW

The RFID Short range reader connects to any Syrus device that supports 1-WIRE interface, capable of implementing contactless personnel identification or access control capabilities.

FEATURES

- IC - Works with 13.56MHz
- Read range: up to 5cm
- Wiegand interface
- LED & buzzer indicator
- Auxiliary RS-232 port
- Indoor / Outdoor Operation
- Solid Epoxy Potted
- Waterproof IP65
- Contactless cards:
- CR80 13.56MHz MIFARE
- Heavy duty automotive grade for long lasting usage
- Easy to install with mounting holes
- Applications:
 - Driver identification
 - Access control

This accessory requires the Syrus Multiprotocol Box.

SYRUS MULTIPROTOCOL BOX

PART NUMBER: 70076

- Converts Wiegand to 1-wire
- Auxiliary RS-232 output

TECHNICAL SPECIFICATIONS

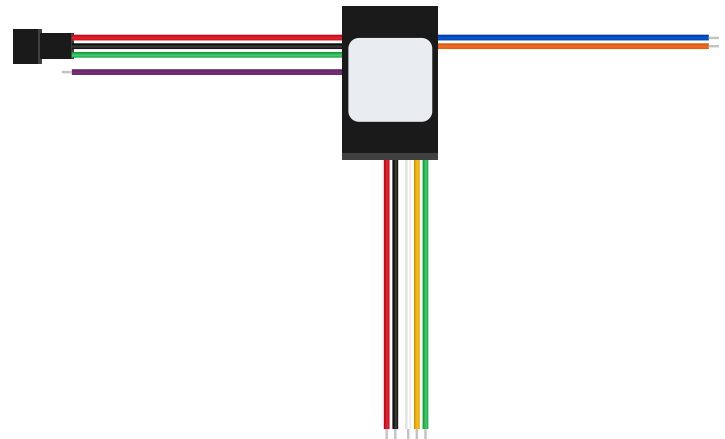
Electrical Specifications

Voltage input range	9VDC - 32VDC
Current Consumption	~ 100mA @ 12V
Protections	Over Voltages Short Circuits Reverse Polarity

Other Specifications

Reading Time (Card)	≤300ms
Power / Current	DC 6-14V / Max.70mA
Output Format	Wiegand / 13.56 MHz
LED Indicator	2 Color LED Indicators [Red and Green]
Buzzer	Yes
Operating Temperature	-20° to +65°C
Operating Humidity	10% to 90% relative humidity non-condensing

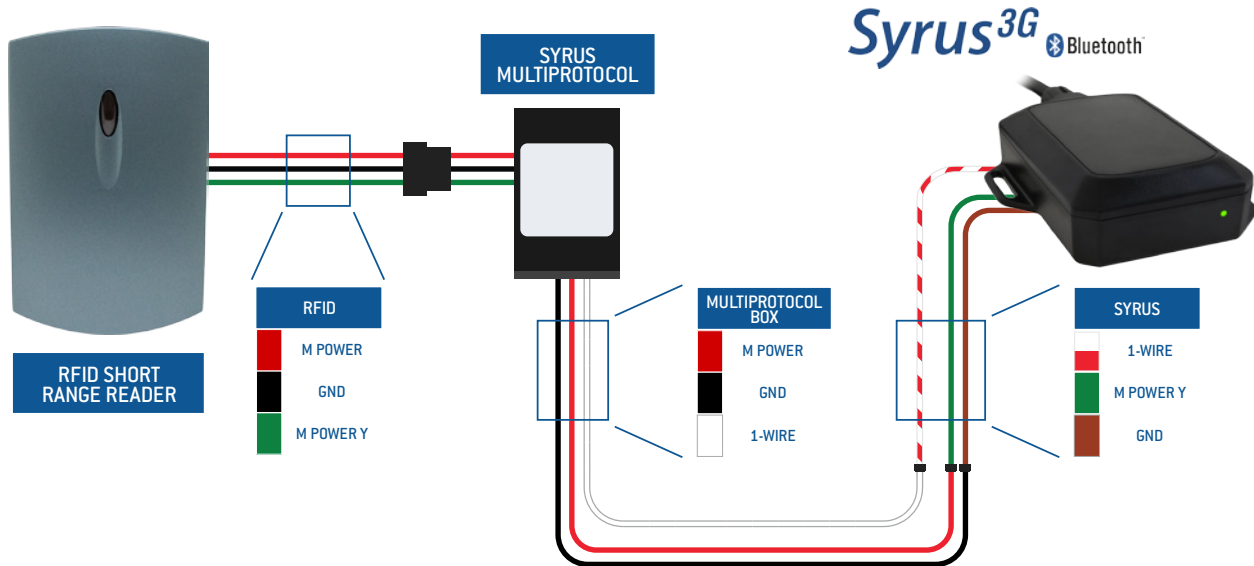
Color	Dark gray
Material	ABS+PC with texture
Dimension (W x H x T)mm	126 x 76 x 23mm
Weight	50g
Index of Protection	IP65



WIRING DIAGRAM & INSTALLATION

One end of the RFID Short Range Reader has a connector for the Syrus Multiprotocol box. Afterwards you can power up the reader using the red & black wires. Finally, connect the Syrus Multiprotocol box white wire to the Syrus 1-wire red/white cable.

For mounting purposes you'll need to use a screwdriver to open the RFID reader. You'll find two holes where you can use a phillips head screw to mount securely.



PINOUT

RFID Wiring Pinout

Red	RFID reader power
Black	RFID ground
Green	RFID communication

Syrus Multiprotocol Box

Purple	Reserved cable
Red	Power for RFID reader
Black	RFID ground
Green	RFID communication
Green	Auxiliary RS-232 Rx (Receive)
Yellow	Auxiliary RS-232 Tx (Transmit)
White	1-wire bus. Connect to Syrus 1-WIRE White/Red cable.
Black	Electrical ground. Connect to the vehicle's battery negative or Syrus GND.
Red	Main Power. Connect to the vehicle's battery or Syrus MPOWER [9V - 32V].
Orange	Wiegand Data 0
Blue	Wiegand Data 1

Syrus 3G

White/Red	1-wire bus
Green	Direct, non-protected connection with M POWER (pin 3). Use it to derive power to accessories.
Brown	Device's Electrical Ground. Useful for Inputs' or Accessories' Electrical Ground.

PEGASUS CONFIGURATION SYRUS RFID STANDARD

Commands

Query Version
>QXAWGV11<

Reset the reader
>SXAWGR11<

Start reader fw upgrade*
>SXAWGF11rfi_2.0.1<

Query the fw upgrade status
>QXAWGF11<

Query last RFID read
>QRIL<

Query if an RFID is authorized
>QRIS11156788<

Query the list of Authorized RFIDs (comma separated)
>QRIA<
>SRIA11156799<

* For more information on the latest stable firmware versions, please visit our support website: <https://support.digitalcomtech.com>