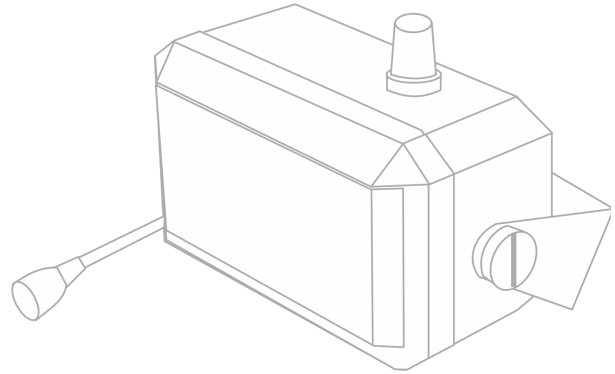


## Audio Kit Datasheet

Spring, 2017

### Overview

DCT hands free device is specially designed to be wired directly to the Syrus GPS tracking device harness cable and enables the fleet management control center to listen inside vehicle cabin knowing exactly what is happening automatically after any event has been programmed to trigger the microphone.



### Features

- Full duplex voice connectivity via microphone and speaker
- Auto-answering mode
- Auto dialing mode
- Silent monitoring

### Technical Specifications

#### *MICROPHONE*

Element: Back Electret Condenser

Polar Pattern: Omni--Directional

Frequency Response:20Hz--20KHz

Sensitivity: -44dB±3dB

Output impedance: 1000  $\Omega$  ±30%(at 1KHz)

Max.Input SPL: 130dB(at 1KHz≤1%T.H.D)

Dimension(mm):  $\phi$  5mm

*SPEAKER*

Power input: 12VDC - Standard power: 5W--7W

Output 8  $\Omega$

Magnetic type: External Magnetic  $\Phi$ 45\*9mm

Cable  $\Phi$ =3.5mm,L=1.83m (72 in).

Rated impedance 8  $\Omega$   $\pm$ 15% 50 MA/1K Hz/0.56 V

Limit resonance freq. 300 $\pm$ 20% Hz Monomer horn

Rated features sensitivity levels 89 $\pm$ 3 dB AT 1W/0.5M/2 V

Rated frequency range FO--20KHz OUTPUT S.P.L. $\pm$ 10dB

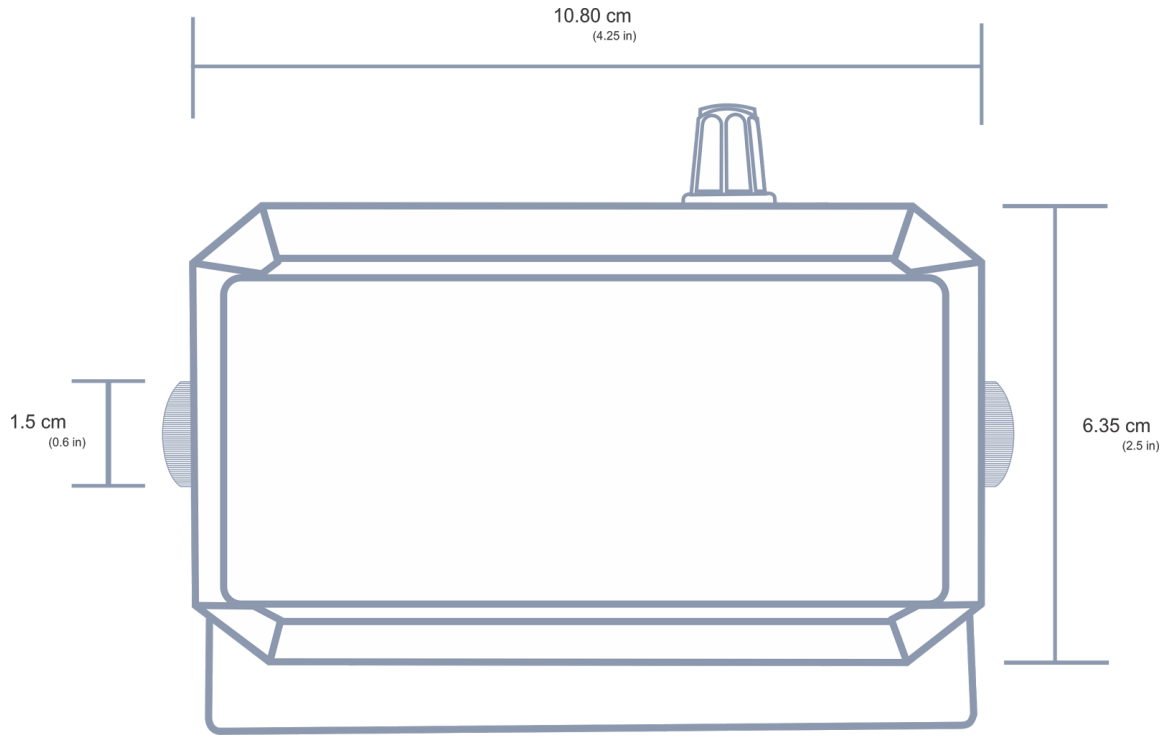
Rated output power 5W

Maximum output power 7W

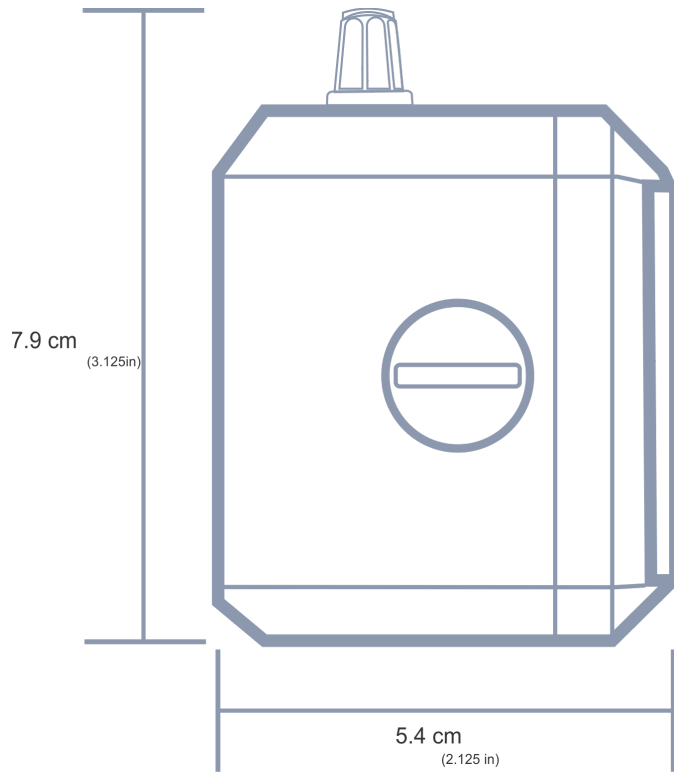
Distortion rate 5% MAX Rated power input 1KHZ

## Dimensions

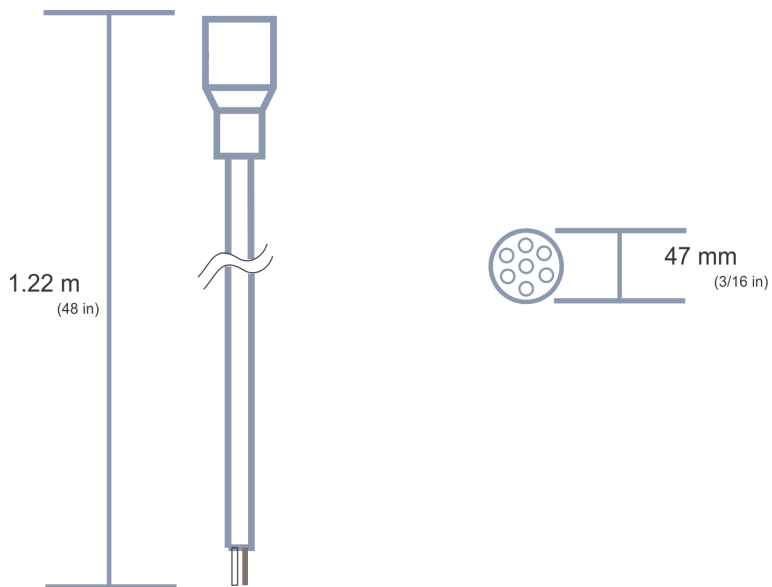
### Speaker Front View



### Speaker Side View



### Microphone Side and Top View



## Installation

Follow the pinout guide below and connect all cables of the Speaker and the Mic as follows

Speaker wire color			
	Color	I/O	Description
	Red	IN	Main Power: 12 Volts
	White	GND	Connect directly to Syrus ground cable from harness (Brown cable on Syrus 3, and black cable on Syrus 2)
	Blue	Audio/ OUT	Audio output, connect to Syrus yellow/white cable
	Copper	Audio GND	Connect directly to Syrus ground cable from harness (Brown cable on Syrus 3, or black/white cable on Syrus 2)

Mic wire color			
	Color	I/O	Description
	White	Aurio IN	Connect directly to Syrus gray cable from harness
	Copper	Audio GND	Connect directly to Syrus ground cable from harness (Brown cable on Syrus 3, or black/white cable on Syrus 2)

## FAQ

- How can I activate the auto dialing and monitoring mode?  
These features depend on the script configuration of the Syrus device, all Syrus devices are capable of these features, please contact support for more information.